

Numerical control for Press

CybTouch 15 PSe / 15 PS

The CybTouch 15 is a 2D numerical control specifically dedicated for entry to mid-range CNC press-brakes up to 6 axes.

It comes in a compact housing, similarly to the well-known CybTouch range in the field, but offering a bigger touchscreen and a new horizontal design.

As the entire CybTouch range, the CybTouch 15 features an intuitive touch screen user interface, offering a high integration of functionalities.

Thanks to its large keys, online help, user-friendly HMI and many automatic functions that constantly

guide the operator, the CybTouch 15 is simply powerful and user friendly.

The CybTouch 15 is integrated into a sleek and modern housing or can optionally also be delivered as a robust panel.

High speed RfLink wireless communication facilitates backup, restore, data transfer functions with laptop computers, as well as beam movements' traces with the included oscilloscope.



Main features

For the user:

15" modern streamlined glass surface touch screen that can be used with gloves.

User friendly HMI thanks intuitive programming and an ease to set up with dedicated wizards (auto-tuning).

2D graphical profile drawing (Touch Profile) and precise 2D program creation.

Automatic bending sequence calculation.

Easy single bends thanks to the EasyBend page.

Wide storage capacity. Internal

backup and restore functions.

Wireless communication for extended diagnostics and updates (with laptop).

Memory capacity:

- 100 Punches
- 100 Dies
- 300 Programs
- 24 Sequences per program
- 10 Materials

For the OEM:

4 or 6 axes control in a compact housing.

Management of AC/DC drives and motors, frequency converters for AC asynchronous motors, two-speeds mode, and more.

Pressure, crowning and pump speed management.

Advanced algorithms for closed and open loop proportional valves control.

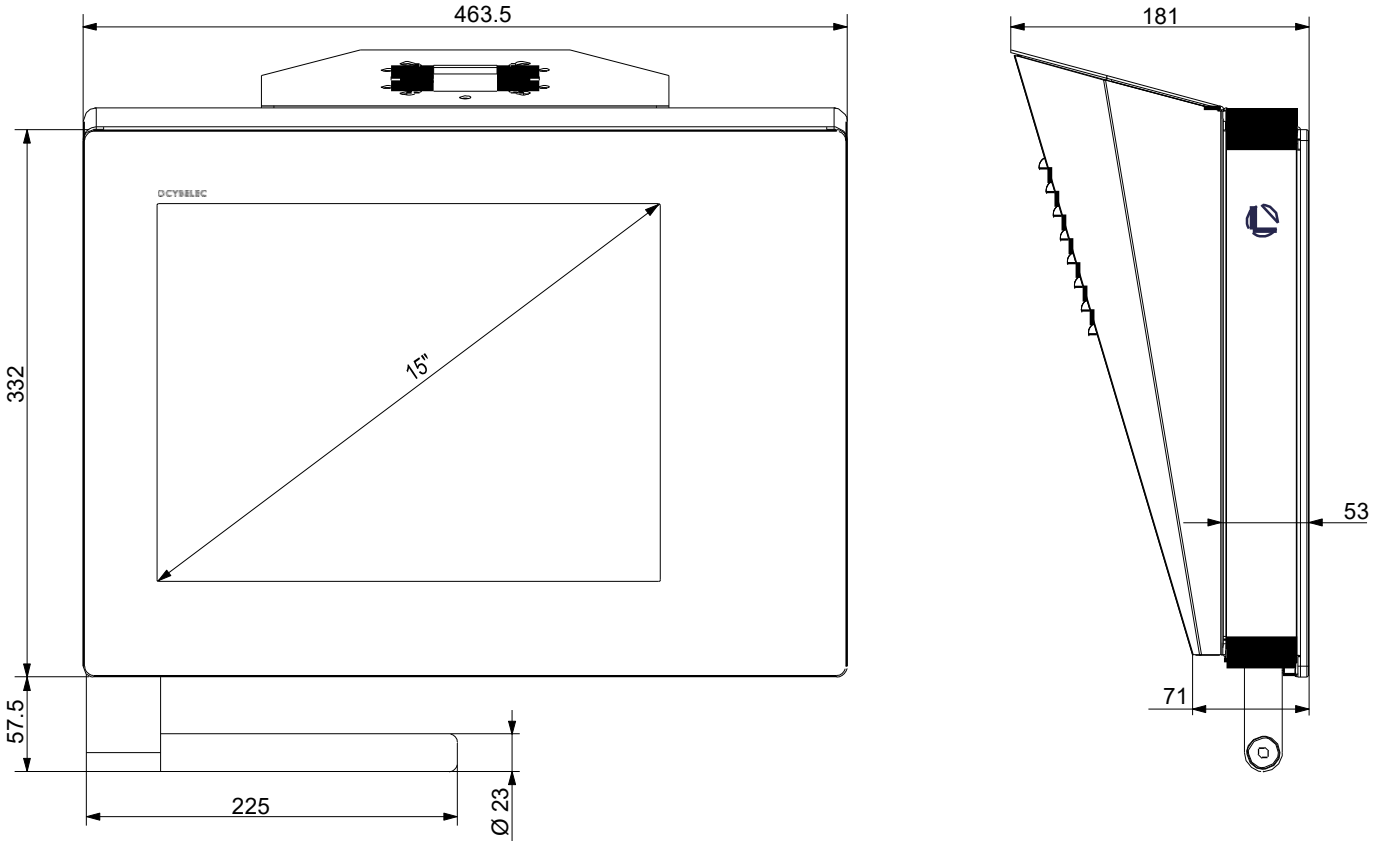
Axes configuration, inputs/outputs and auxiliary functions can be made to precisely fit the specific needs of the machine.

Technical Characteristics

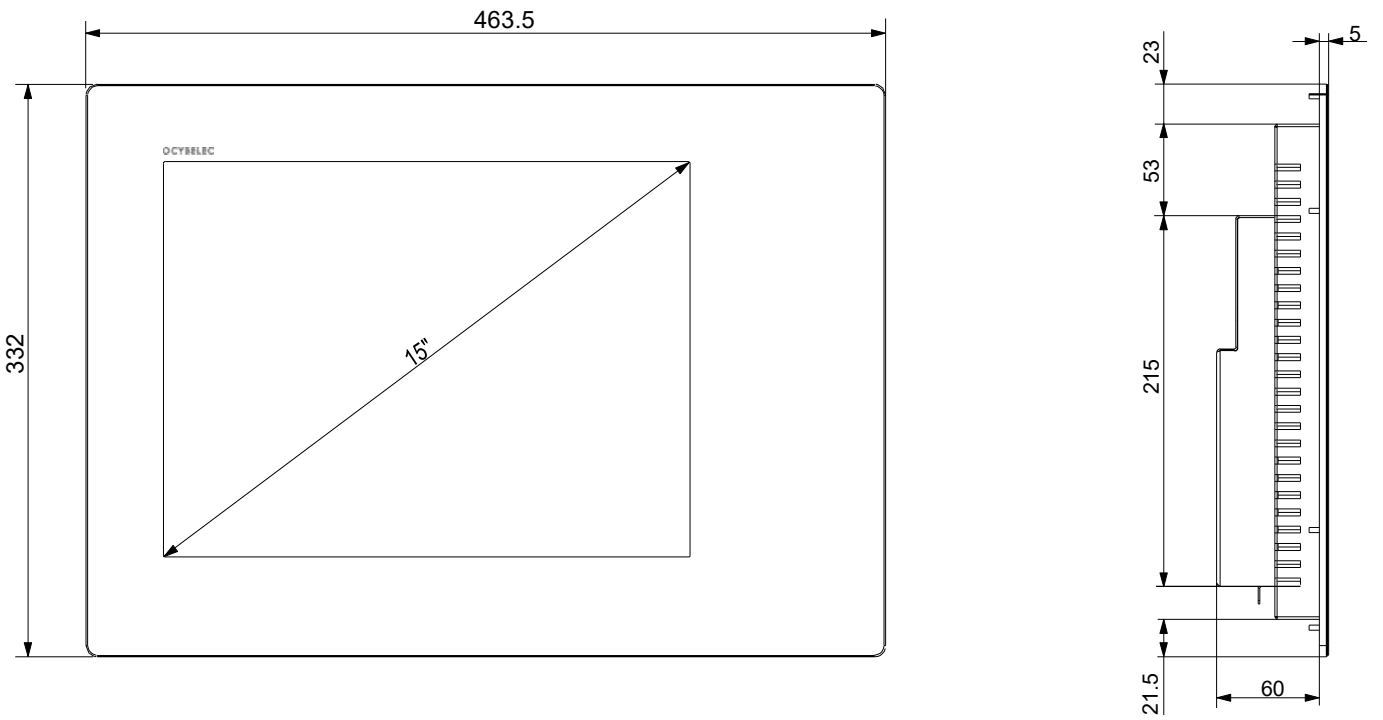
Product	CybTouch 15 PSe	CybTouch 15 PS
Screen	Glass surface touch screen (capacitive) 15" color graphic TFT screen, 1024 x 768 pixels with LED backlight control.	
Work memory	SRAM /SDRAM	
System memory	8 GB and up Micro SD Card with firmware update via RfLink	
Communication	Cybelec RfLink (radio frequency link). USB port (for memory stick only). RS232 port (communication with safety PLC).	
X – R Axes	<ul style="list-style-type: none"> • ± 10VDC management of AC/DC drives and motors. • 0-10 VDC frequency converter for AC asynchronous motors. • SP-SN-HS 2 speeds mode. • SP-SN 0-10 VDC 2 adjustable speeds. 	
Units	inch/mm conversion.	
Power supplies	<ul style="list-style-type: none"> • Numerical control: stabilized + 24VDC -15% / + 20% 30W • Digital inputs/outputs: stabilized + 24VDC -15% / + 20% 	
Encoder inputs	4 5 VDC or 12 VDC* or 24 VDC* (* = externals power supply). Complementary signals are not necessary but recommended.	
Power supplies for encoders	5 VDC Supplied by CybTouch. Max. 250 mA for each encoder.	
Digital inputs	8 Optocoupled.	16 Optocoupled.
Analog inputs	2 0-10 VDC.	4 0-10 VDC.
Digital outputs	13 Optocoupled and short circuit proof. 12 x 24 VDC source mode, max. 0.5 A. 1 x 24 VDC auxiliary output, max. 0.5 A, not protected. Possibility to configure twice the same output to double the current.	21 Optocoupled and short circuit proof. 12 x 24 VDC source mode, max. 0.5 A. 8 x 24 VDC source mode, max. 3.0 A. 1 x 24 VDC auxiliary output, max. 0.5 A, not protected. Possibility to configure twice the same output to double the current.
Analog outputs	6	7
	±10 VDC, Y1-Y2-X-R, pressure / crowning. Impedance < 100 Ω, short circuit proof. Load ≥ 2 kΩ (max 15 mA).	
Reference voltage	10 VDC Impedance < 100 Ω, short circuit proof. Load ≥ 2 kΩ (max 15 mA).	
Operating conditions	Min. 5° Celsius, max. 45° Celsius. Relative humidity 10 to 85% non-condensing.	
EC Directives	IEC61131-2.	
Available languages	Czech, Dutch, English, Finnish, French, German, Italian, Korean, Mandarin, Mandarin TW, Polish, Portuguese, Portuguese BR, Romanian, Russian, Spanish, Turkish.	
Options OFT-H3 Automatic bend sequence	Optional (can be purchased separately)	Included

Dimensions

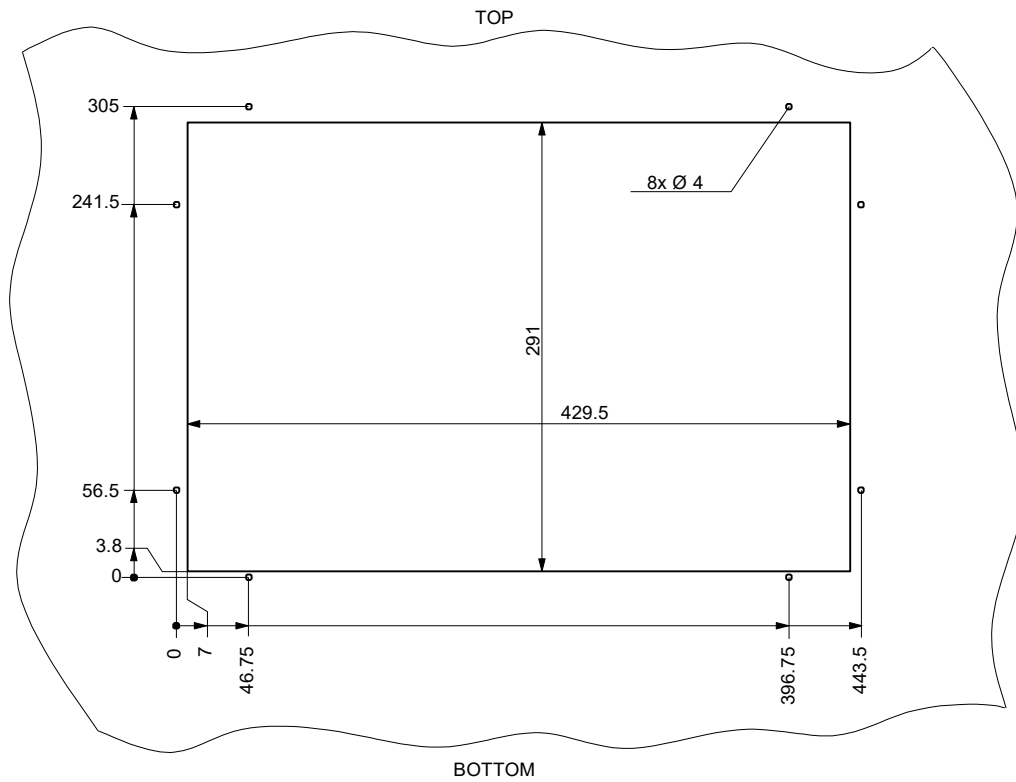
Box version



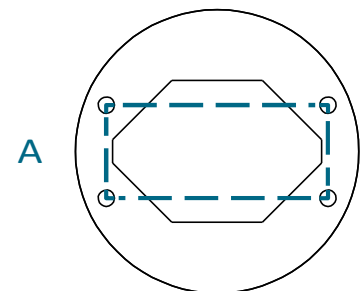
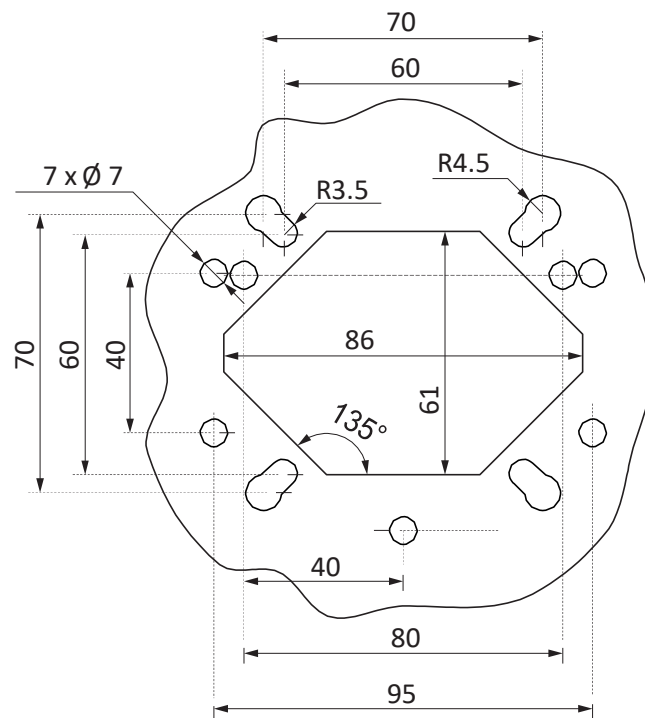
Panel version



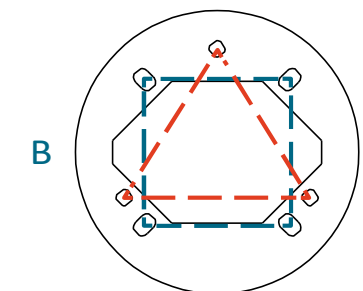
Integrating opening dimensions



Attachment dimensions



40 x 95



60 x 60 or 65 x 65

80 x 80 x 80

Two adapters are provided. Stick the appropriate one on top of the box.

Ordering Informations

CybTouch 15 PSe

Reference	Designation
CBT-154PSE/B	T-screen 15", 4 axes (Y1, Y2, X, R), PS-2D, housing version
CBT-154PSE/B/AB	T-screen 15", 4 axes (Y1, Y2, X, R), PS-2D & ABS, housing
CBT-154PSE/P	T-screen 15", 4 axes (Y1, Y2, X, R), PS-2D, panel version
CBT-154PSE/P/AB	T-screen 15", 4 axes (Y1, Y2, X, R), PS-2D & ABS, panel

CybTouch 15 PS

Reference	Designation
CBT-154PS/B	4 axes (Y1, Y2, X, R), PS-2D, housing version
CBT-154PS/P	4 axes (Y1, Y2, X, R), PS-2D, panel version
CBT-156PS/B (*)	6 axes (Y1, Y2, X, R, Z1, Z2), PS-2D, housing, RJ45 wire 7.5m
CBT-156PS/P (*)	6 axes (Y1, Y2, X, R, Z1, Z2), PS-2D, panel, RJ45 wire 7.5m

(*) requires one CybMVA module for Y1, Y2

Option

S-OPT-RFLINK	USB RFLink key for wireless connection
--------------	--

Software Options

S-OFT-H3	Automatic bend sequence for CybTouch 8 PS, 12 PS, 15 PSe
S-OFT-H5	Tandem management
S-OFT-LF	Lock function (working time restriction)

Valve amplifier modules

Analog modules

S-CAH-VA6/1	Y1, Y2, with feedback
S-MVP-100/A1	Pressure valve amplifier
S-MSV-402/A1	Servo valve amplifier +/-350mA or +/-50mA

CybMVA for Y1, Y2

MVA-FA2	Y1, Y2, with current outputs for proportional valves, can manage LVDT feedback
MVA-AA2	Y1, Y2, with analog outputs for servo-valve (MSV 402 needed) or integrated amplifier